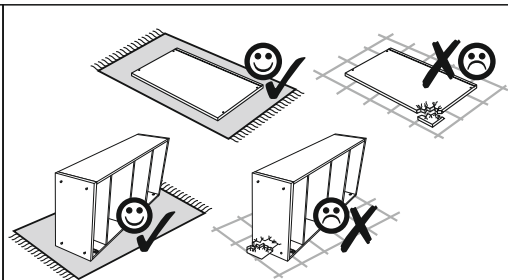
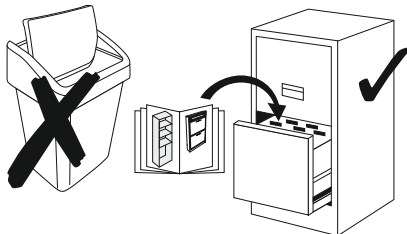
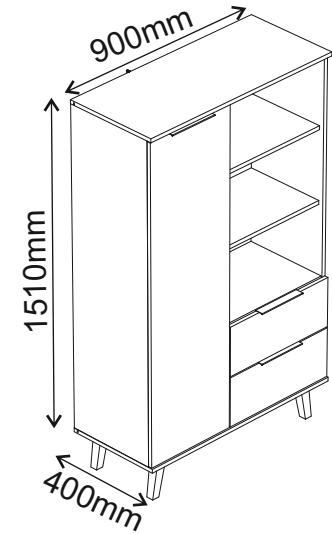
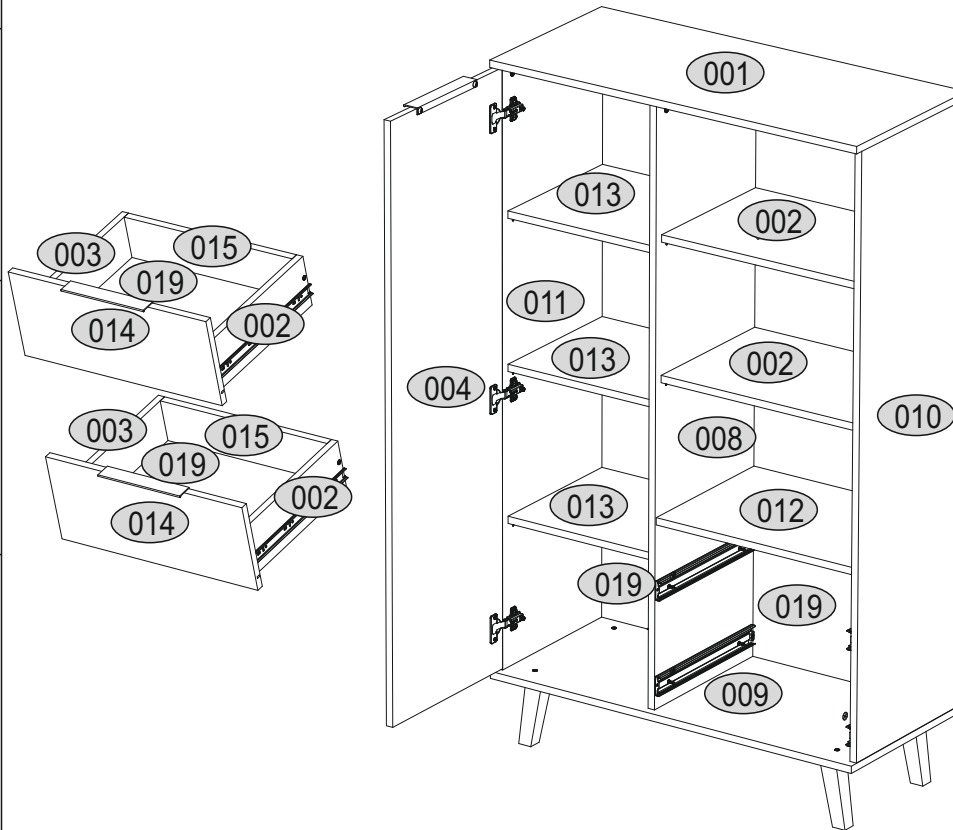
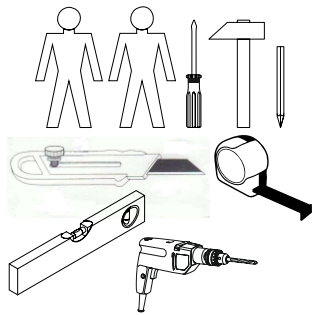
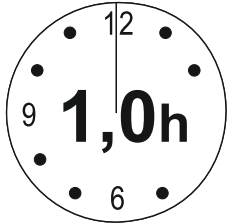








Installation manual

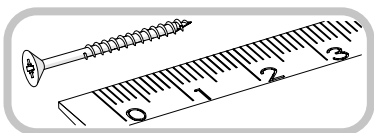
SHELVING 1D2S



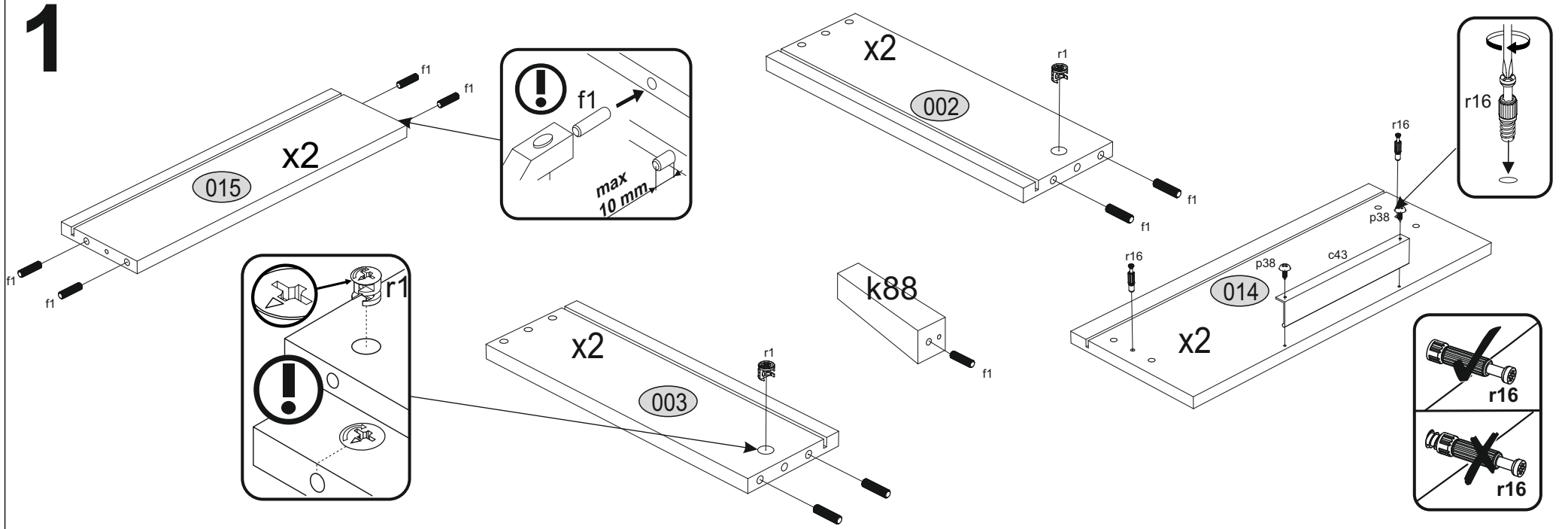
Code	Dimensions			Package	
001	900	400	16	1	1/2
002	350	120	16	2	2/2
003	350	120	16	2	2/2
004	1322	392	16	1	1/2
008	1328	360	16	1	1/2
009	900	400	16	1	1/2
010	1328	380	16	1	2/2
011	1328	380	16	1	2/2
013	366	340	16	3	1/2
014	500	206	16	2	2/2
015	427	120	16	2	2/2
016	1346	383	3	1	1/2
017	484	340	16	1	1/2
017	484	340	16	1	2/2
018	1346	500	3	1	2/2
019	352	445	3	2	2/2
accessories				2	1/2

Accessories:

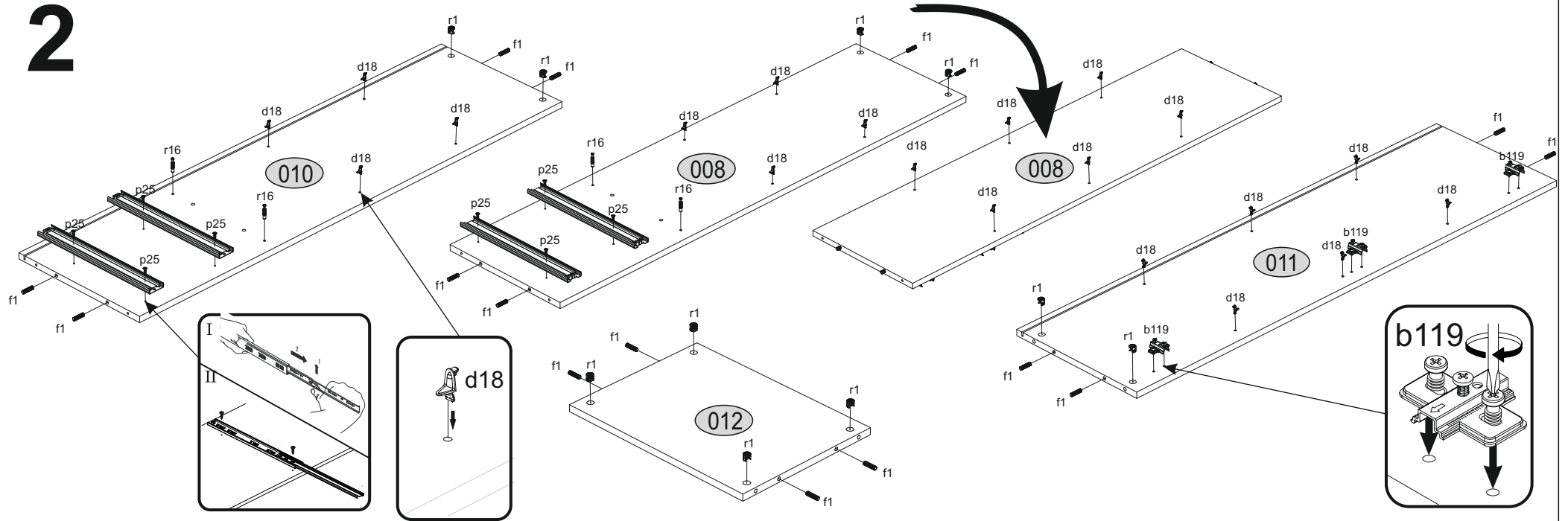
<p>x3 a144</p> 	<p>x3 b119</p> 	<p>x3 c43</p> 	<p>x14 e1</p> <p>Ø7x50mm</p> 
<p>x14 s1</p> 	<p>x36 f1</p> <p>Ø8x30mm</p> 	<p>x6 p38</p> 	<p>x1 z1</p> 
<p>x14 r16</p> 	<p>x42 p25</p> 	<p>x14 s2</p> 	<p>x20 d18</p> 
<p>x14 r1</p> 	<p>x2 lb-350</p> 	<p>x1 p17</p> 	<p>x2 n260</p> 
<p>x8 l2</p> 	<p>x1 n14</p> 	<p>x1 f3</p> 	<p>x4 k88</p> 

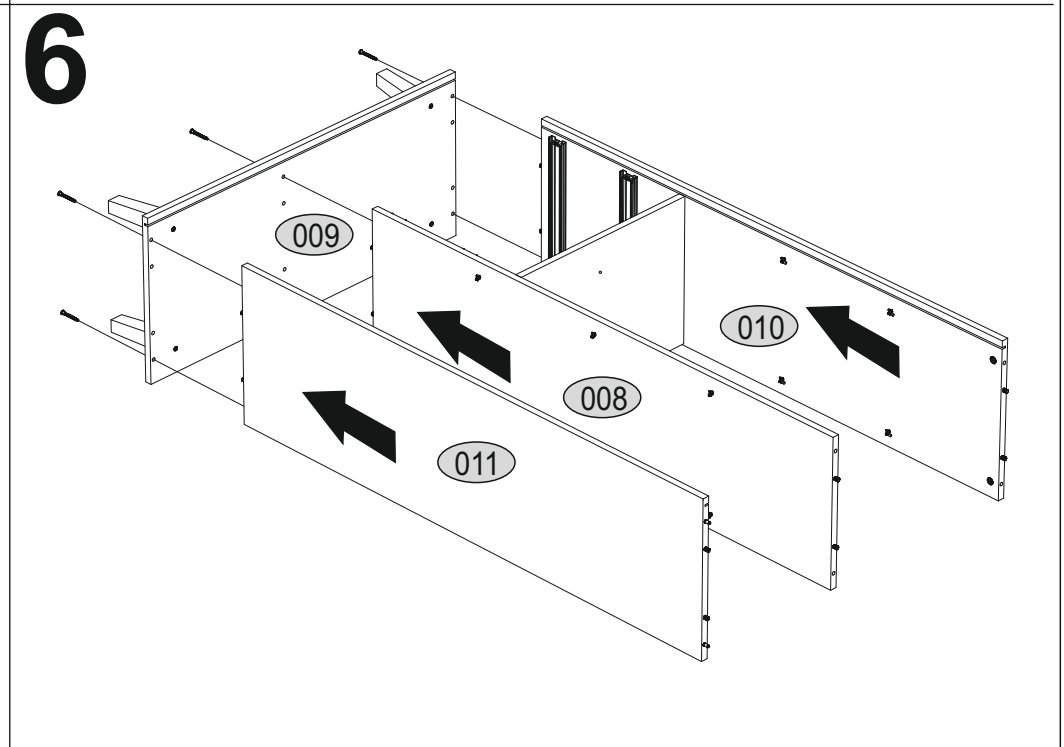
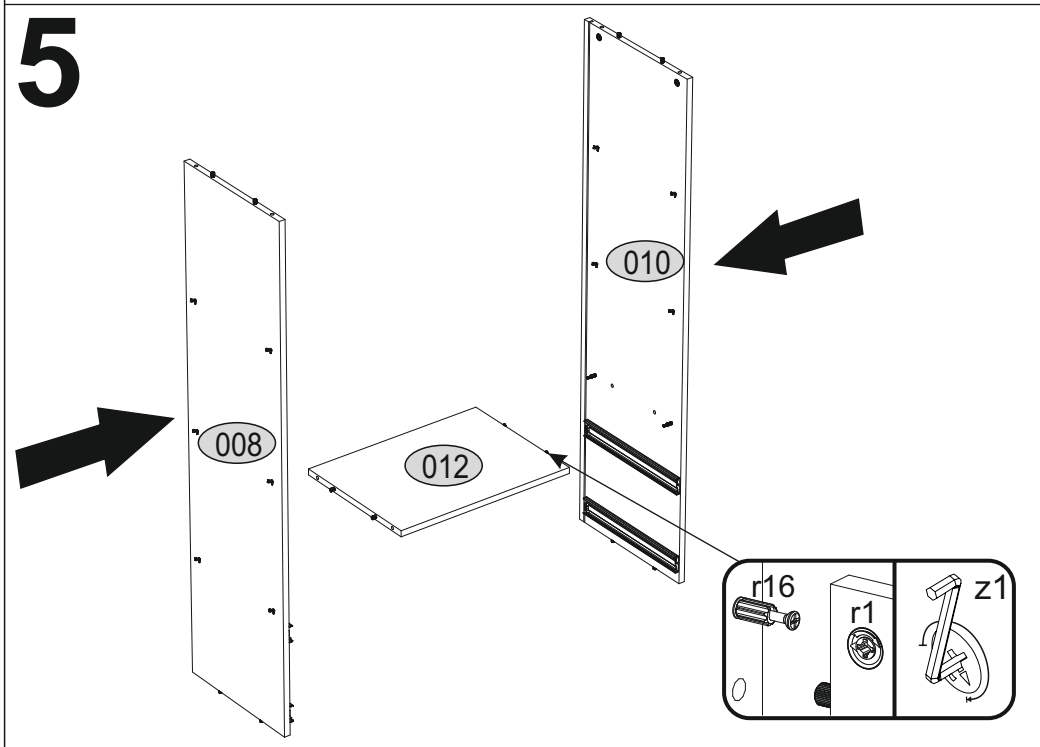
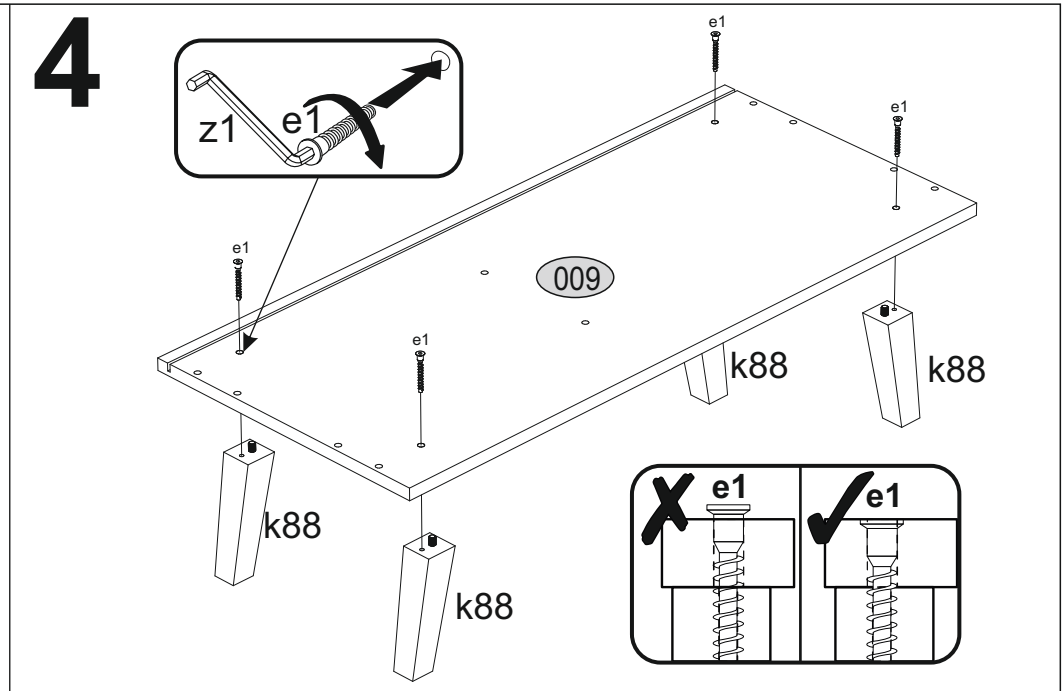
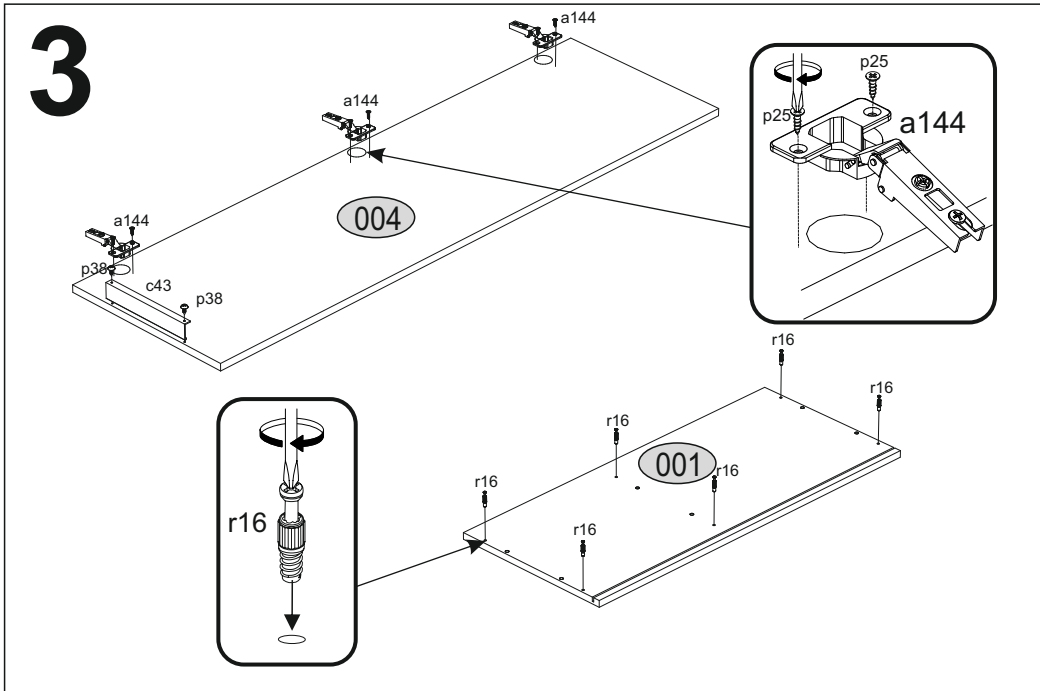


1

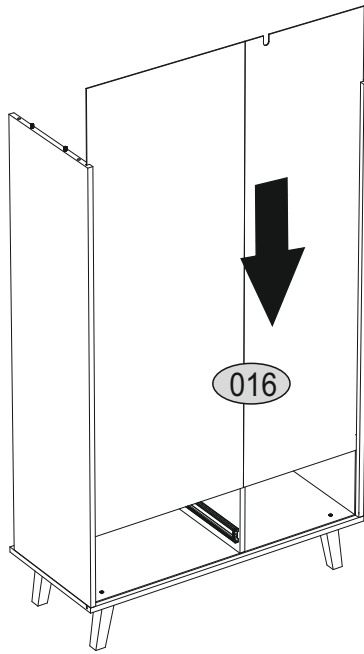


2

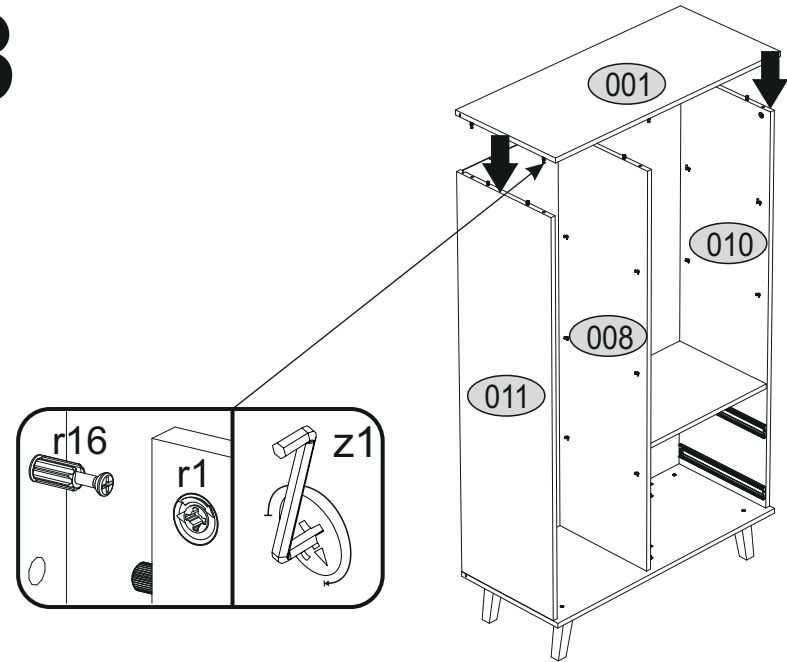




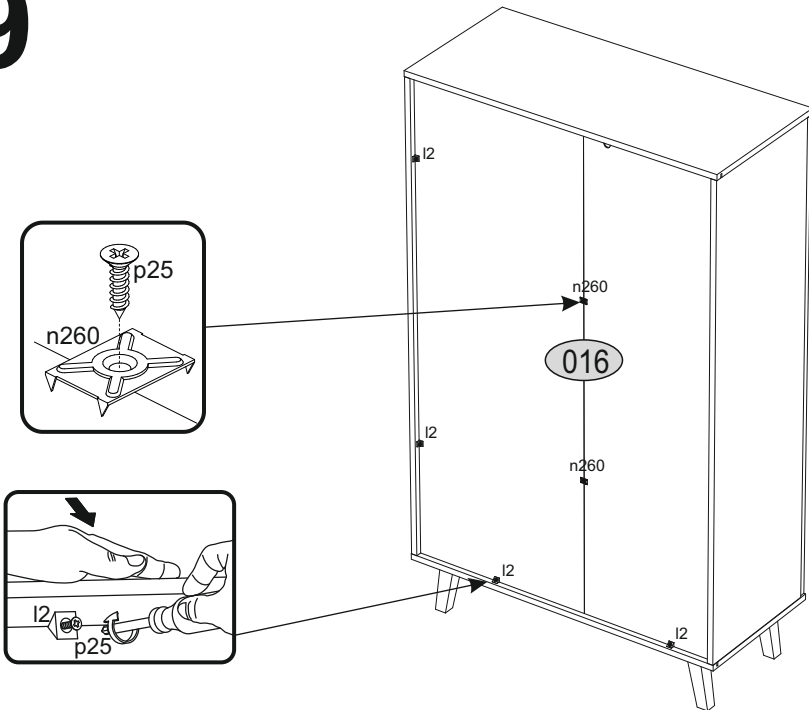
7



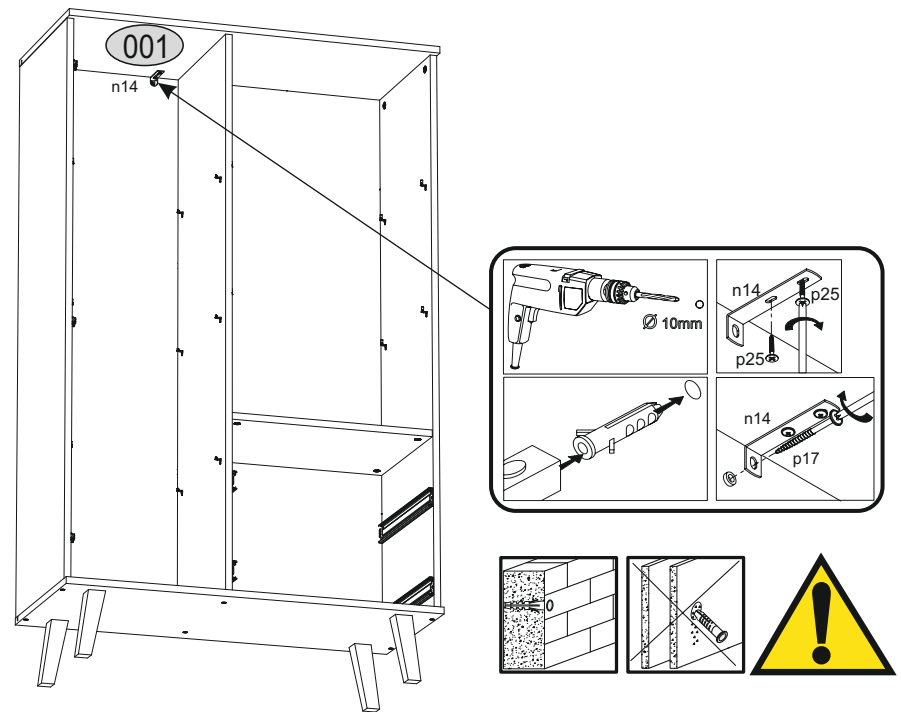
8



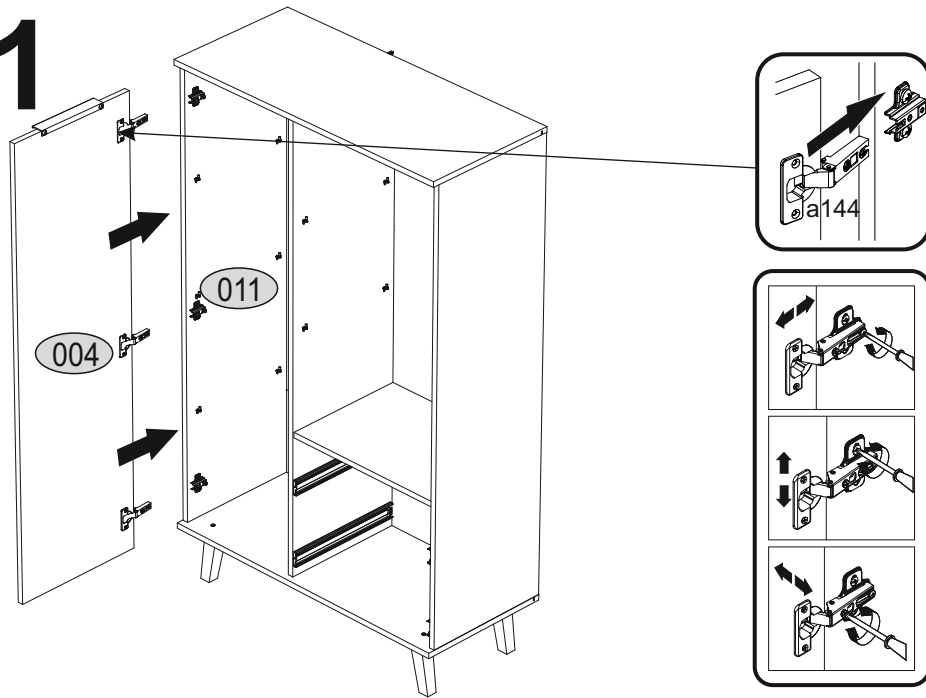
9



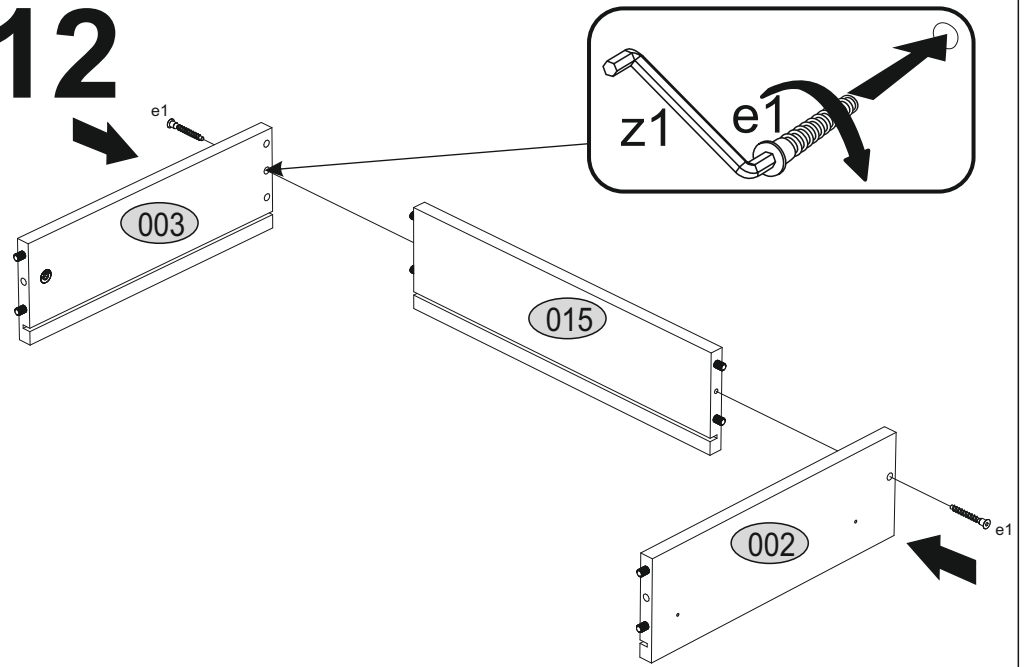
10



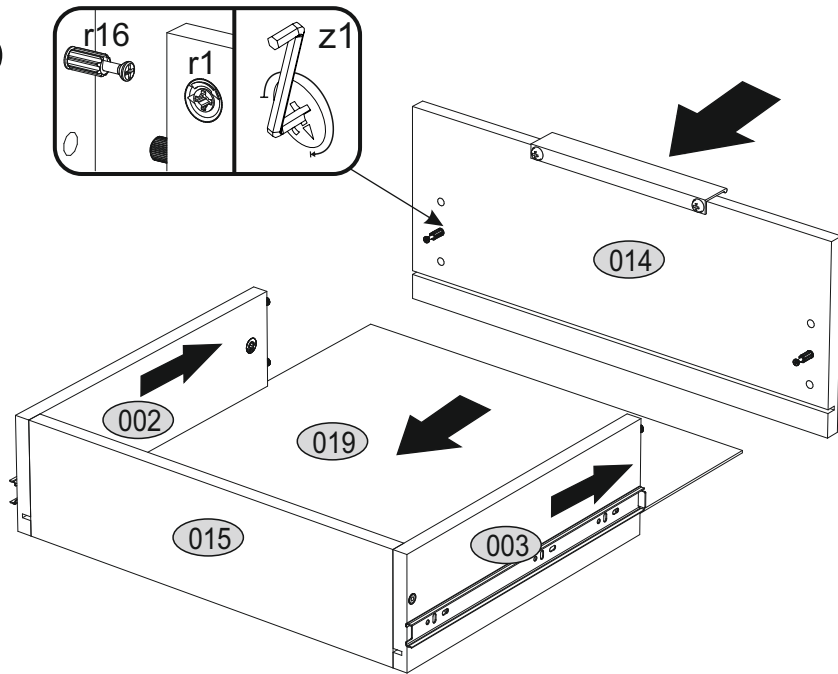
11



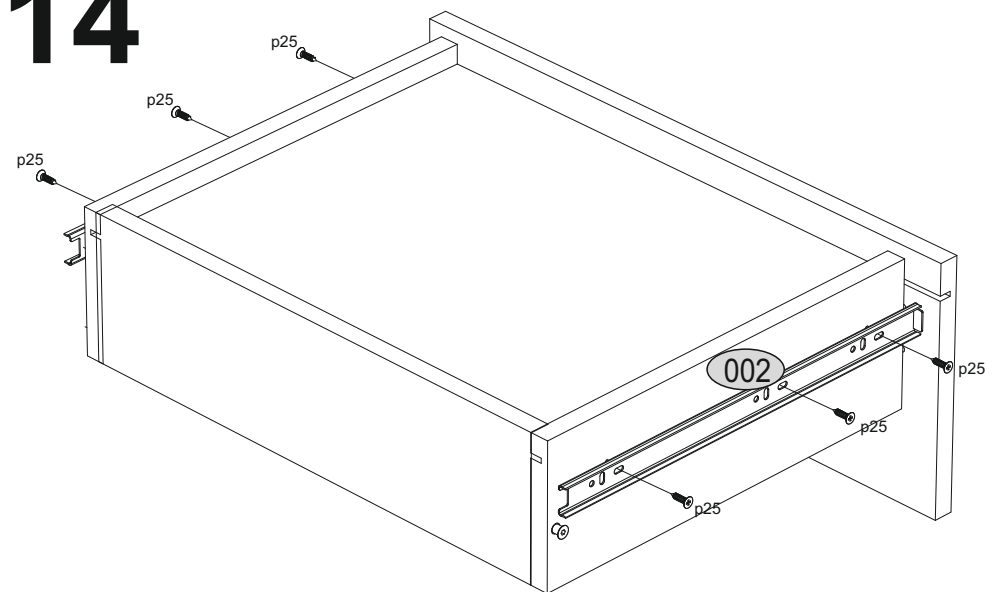
12



13



14



15

